



# MIC2563A

## Dual-Slot PCMCIA/CardBus Power Controller

### General Description

The MIC2563A dual-slot PCMCIA (Personal Computer Memory Card International Association) and CardBus power controller handles all PC Card slot power supply pins, both  $V_{CC}$  and  $V_{PP}$ . The MIC2563A switches between the three  $V_{CC}$  voltages (0V, 3.3V and 5.0V) and the  $V_{PP}$  voltages (OFF, 0V, 3.3V, 5V or 12.0V) required by PC Cards. The MIC2563A switches voltages from the system power supply to  $V_{CC}$  and  $V_{PP}$ . Output voltage is selected by two digital inputs each and output current ranges up to 1A for  $V_{CC}$  and 250mA for  $V_{PP}$ .

The MIC2563A provides power management capability controlled by the PC Card logic controller. Voltage rise and fall times are well controlled. Medium current  $V_{PP}$  and high current  $V_{CC}$  output switches are self-biasing: **no +12V supply is required for 3.3V or 5V output.**

The MIC2563A is designed for efficient operation. In standby (sleep) mode, the device draws very little quiescent current, typically 0.3 $\mu$ A. The device and PCMCIA port is protected by current limiting and overtemperature shutdown. Full cross-conduction lockout protects the system power supplies during switching operations.

The MIC2563A is an improved version of the MIC2563, offering lower on-resistances and a  $V_{CC}$  pull-down clamp in the OFF mode. It is available in a standard 28-pin SSOP, as well as an environmentally friendly (lead-free) 28-pin SSOP.

All support documentation can be found on Micrel's web site at [www.micrel.com](http://www.micrel.com).

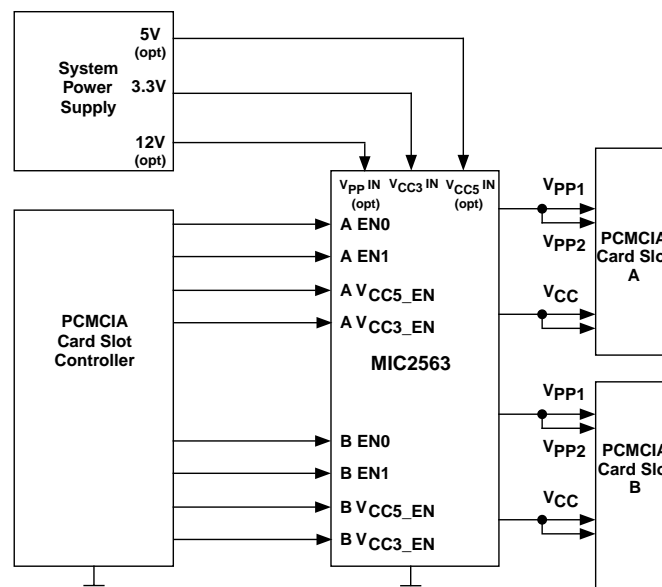
### Features

- Single package controls two PC Card slots
- High-efficiency, low-resistance switches require no 12V bias supply
- No external components required
- Output current limit and overtemperature shutdown
- Ultra-low power consumption
- Complete dual-slot PC Card/CardBus  $V_{CC}$  and  $V_{PP}$  switch matrix in a single package
- Logic compatible with industry standard PC Card logic controllers
- No voltage shoot-through or switching transients
- Break-before-make switching
- Digital selection of  $V_{CC}$  and  $V_{PP}$  voltages
- Over 1A  $V_{CC}$  output current for each section
- Over 250mA  $V_{PP}$  output current for each section
- Lead-free 28-pin SSOP package
- UL recognized, file #179633

### Applications

- Dual-slot PC card power supply pin voltage switch
- CardBus slot power supply control
- Data collection systems
- Machine control data input systems
- Wireless communications
- Bar code data collection systems
- Instrumentation configuration/datalogging
- Docking stations (portable and desktop)
- Power supply management
- Power analog switching

### Typical Application



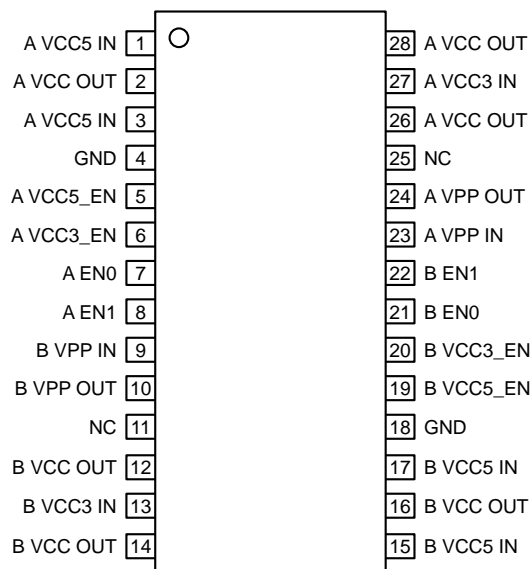
UL Recognized Component

## Ordering Information

Part Number	Temperature Range	Package	Lead-Finish
MIC2563A-0BSM	-40°C to +85°C	28-pin SSOP	Standard
MIC2563A-1BSM	-40°C to +85°C	28-pin SSOP	Standard
MIC2563A-0YSM	-40°C to +85°C	28-pin SSOP	Lead-free
MIC2563A-1YSM	-40°C to +85°C	28-pin SSOP	Lead-free

**Note:** See “MIC2563A-0 and MIC2563A-1 Control Logic Table” for a description of the differences between the logic options.

## Pin Configuration



**28-Pin SSOP (SM)**

Connect all pins with the same name together for proper operation.

## MIC2563A-1 Redefined Pin Assignment

Function	Pin Number	
	Slot A	Slot B
VPP_VCC	7	21
VPP_PGM	8	22

Some pin names for the MIC2563A-1 are different from the MIC2563A-0. This table shows the differences. All other pin names are identical to the MIC2563A-0 as shown in the “Pin Configuration,” above.

**Absolute Maximum Ratings<sup>(1)</sup>**

Supply Voltage, $V_{PP}$ IN .....	+15V
$V_{CC3}$ IN .....	+7.5V
$V_{CC5}$ IN .....	+7.5V
Logic Input Voltages .....	-0.3V to +10V
Output Current (each output)	
$V_{PP}$ OUT .....	>200mA, Internally Limited
$V_{CC}$ OUT .....	>1A, Internally Limited
Power Dissipation ( $P_D$ ), $T_A \leq 25^\circ\text{C}$ .....	Internally Limited
SSOP .....	800mW
Derating Factors (to Ambient)	
SSOP .....	4mW/ $^\circ\text{C}$
Lead Temperature (5 sec.) .....	260 $^\circ\text{C}$
Storage Temperature ( $T_S$ ) .....	-65 $^\circ\text{C}$ to +150 $^\circ\text{C}$

**Operating Ratings<sup>(2)</sup>**

Ambient Temperature ( $T_A$ ) .....	-40 $^\circ\text{C}$ to +85 $^\circ\text{C}$
Operating Temperature (Die) .....	125 $^\circ\text{C}$
Package Thermal Resistance ( $\theta_{JA}$ )	
SSOP .....	84 $^\circ\text{C}/\text{W}$

**Electrical Characteristics<sup>(3)</sup>**

$V_{CC3}$  IN = 3.3V,  $V_{CC5}$  IN = 5.0V,  $V_{PP}$  IN = 12V;  $T_A = 25^\circ\text{C}$ , **bold** values indicate  $-40^\circ\text{C} \leq T_A \leq +85^\circ\text{C}$ ; unless noted.

Symbol	Parameter	Condition	Min	Typ	Max	Units
<b>Digital Inputs</b>						
$V_{IH}$	Logic 1 Input Voltage		2.2		7.5	V
$V_{IL}$	Logic 0 Input Voltage		-0.3		0.8	V
$I_{IN}$	Input Current	$0\text{V} < V_{IN} < 5.5\text{V}$			$\pm 1$	$\mu\text{A}$
<b><math>V_{PP}</math> Output</b>						
$I_{PP}$ OUT Hi-Z	High Impedance Output Leakage Current	Shutdown mode $0 \leq V_{PP}$ OUT $\leq 12\text{V}$		1	10	$\mu\text{A}$
$I_{PPSC}$	Short Circuit Current Limit	$V_{PP}$ OUT = 0	0.2	0.3		A
$R_O$	Switch Resistance	Select $V_{PP}$ OUT = 5V Select $V_{PP}$ OUT = 3.3V $I_{PP}$ OUT = -100mA (Sourcing)		1.8 3.3	2.5 5	$\Omega$
$R_O$	Switch Resistance, Select $V_{PP}$ OUT = 12V	$V_{PP}$ IN = 12V $I_{PP}$ OUT = -100 mA (Sourcing)		0.6	1	$\Omega$
$R_O$	Switch Resistance, Select $V_{PP}$ OUT = 0V	Select $V_{PP}$ OUT = clamped to ground $I_{PP}$ OUT = 50 $\mu\text{A}$ (Sinking)		2500	3900	$\Omega$
<b><math>V_{PP}</math> Switching Time (See Figure 1)</b>						
$t_1$	Output Turn-On Delay <sup>(4)</sup>	$V_{PP}$ OUT = Hi-Z to 10% of 3.3V		5	50	$\mu\text{s}$
$t_2$		$V_{PP}$ OUT = Hi-Z to 10% of 5V		10	50	$\mu\text{s}$
$t_3$		$V_{PP}$ OUT = Hi-Z to 10% of 12V		70	250	$\mu\text{s}$
$t_4$	Output Rise Time <sup>(4)</sup>	$V_{PP}$ OUT = 10% to 90% of 3.3V	100	200	800	$\mu\text{s}$
$t_5$		$V_{PP}$ OUT = 10% to 90% of 5V	100	300	1000	$\mu\text{s}$
$t_6$		$V_{PP}$ OUT = 10% to 90% of 12V	100	225	800	$\mu\text{s}$
$t_7$	Output Transition Timing <sup>(4)</sup>	$V_{PP}$ OUT = 3.3V to 90% of 12V	100	250	1000	$\mu\text{s}$
$t_8$		$V_{PP}$ OUT = 5V to 90% of 12V	100	200	800	$\mu\text{s}$
$t_9$		$V_{PP}$ OUT = 12V to 90% of 3.3V	100	200	800	$\mu\text{s}$
$t_{10}$		$V_{PP}$ OUT = 12V to 90% of 5V	100	350	1200	$\mu\text{s}$

**Notes:**

- Exceeding the absolute maximum rating may damage the device.
- The device is not guaranteed to function outside its operating rating. Devices are ESD sensitive. Handling precautions recommended.
- Specification for packaged product only.
- $R_L = 100\Omega$  connected to ground.
- Delay from commanding Hi-Z or 0V to beginning slope. Does not apply to current limit or overtemperature shutdown conditions.

Symbol	Parameter	Condition	Min	Typ	Max	Units
<b>V<sub>PP</sub> Switching Time</b> (See Figure 1) continued						
t <sub>14</sub>	Output Turn-Off Delay Time <sup>(4, 5)</sup>	V <sub>PP</sub> OUT = 3.3V to Hi-Z		200	1000	ns
t <sub>15</sub>		V <sub>PP</sub> OUT = 5V to Hi-Z		200	1000	ns
t <sub>16</sub>		V <sub>PP</sub> OUT = 12V to Hi-Z		200	1000	ns
t <sub>11</sub>	Output Turn-Off Fall Time <sup>(4)</sup>	V <sub>PP</sub> OUT = 90% to 10% of 3.3V		50	1000	ns
t <sub>12</sub>		V <sub>PP</sub> OUT = 90% to 10% of 5V		50	1000	ns
t <sub>13</sub>		V <sub>PP</sub> OUT = 90% to 10% of 12V		300	2000	ns

**V<sub>CC</sub> Output**

I <sub>CCSC</sub>	Short Circuit Current Limit	V <sub>CC</sub> OUT = 0	1	1.5		A
R <sub>O</sub>	Switch Resistance	Select V <sub>CC</sub> OUT = 3.3V I <sub>CC</sub> OUT = -1A (Sourcing)		100	150	mΩ
		Select V <sub>CC</sub> OUT = 5V I <sub>CC</sub> OUT = -1A (Sourcing)		70	100	mΩ
		Select V <sub>CC</sub> OUT = clamped to ground I <sub>CC</sub> OUT = 0.1mA (Sinking)		500	3900	Ω

**V<sub>CC</sub> Switching Time** (See Figure 2)

t <sub>1</sub>	Output Turn-On Delay Time <sup>(6)</sup>	V <sub>CC</sub> OUT = 0V to 10% of 3.3V		300	1500	μs
t <sub>2</sub>		V <sub>CC</sub> OUT = 0V to 10% of 5.0V		750	3000	μs
t <sub>3</sub>	Output Rise Time <sup>(6)</sup>	V <sub>CC</sub> OUT = 10% to 90% of 3.3V	200	700	2500	μs
t <sub>4</sub>		V <sub>CC</sub> OUT = 10% to 90% of 5V	200	1500	6000	μs
t <sub>7</sub>	Output Turn-Off Delay <sup>(6, 7)</sup>	V <sub>CC</sub> OUT = 3.3V		2.4	8	ms
t <sub>8</sub>		V <sub>CC</sub> OUT = 5V		2.8	8	ms
t <sub>5</sub>	Output Fall Time <sup>(6)</sup>	V <sub>CC</sub> OUT = 90% to 10% of 3.3V	100	240	1000	μs
t <sub>6</sub>		V <sub>CC</sub> OUT = 90% to 10% of 5.0V	100	600	2000	μs

**Power Supply**

I <sub>CC5</sub>	V <sub>CC5</sub> IN Supply Current (5V)	V <sub>CC</sub> OUT = 5V or 3.3V, I <sub>CC</sub> OUT = 0		8	50	μA
		V <sub>CC</sub> OUT = 0V (Sleep Mode)		0.2	10	μA
I <sub>CC3</sub>	V <sub>CC3</sub> IN Supply Current (3.3V) <sup>(8)</sup>	V <sub>CC</sub> OUT = 5V or 3.3V, I <sub>CC</sub> OUT = 0		40	100	μA
		V <sub>CC</sub> OUT = 0V (Sleep Mode)		0.1	10	μA
I <sub>PP</sub> IN	V <sub>PP</sub> IN Supply Current (12V) <sup>(9)</sup>	V <sub>PP</sub> OUT = 3.3V or 5V, I <sub>PP</sub> OUT = 0		0.3	4	μA
		V <sub>PP</sub> OUT = Hi-Z, 0 or V <sub>PP</sub>		0.3	4	μA
V <sub>CC5</sub>	Operating Input Voltage (5V)	V <sub>CC5</sub> IN not required for operation		5.0	6	V
V <sub>CC3</sub>	Operating Input Voltage (3.3V) <sup>(8)</sup>		3.0	3.3	6	V
V <sub>PP</sub> IN	Operating Input Voltage (12V)	V <sub>PP</sub> IN not required for operation <sup>(10)</sup>		12.0	14.5	V

**Thermal Shutdown**

T <sub>SD</sub>	Thermal Shutdown Temperature			130		°C
-----------------	------------------------------	--	--	-----	--	----

**Notes:**

- R<sub>L</sub> = 100Ω connected to ground.
- Delay from commanding Hi-Z or 0V to beginning slope. Does not apply to current limit or overtemperature shutdown conditions.
- R<sub>L</sub> = 10Ω connected to ground.
- Delay from commanding Hi-Z or 0V to beginning slope. Does not apply to current limit or overtemperature shutdown conditions.
- The MIC2563A uses V<sub>CC3</sub> IN for operation. For single 5V supply systems, connect 5V to both V<sub>CC3</sub> IN and V<sub>CC5</sub> IN. See "Applications Information" section for further details.
- V<sub>PP</sub> IN is not required for operation.
- V<sub>PP</sub> IN must be either high impedance or greater than or approximately equal to the highest voltage V<sub>CC</sub> in the system. For example, if both 3.3V and 5V are connected to the MIC2563A, V<sub>PP</sub> IN must be either 5V, 12V, or high impedance.

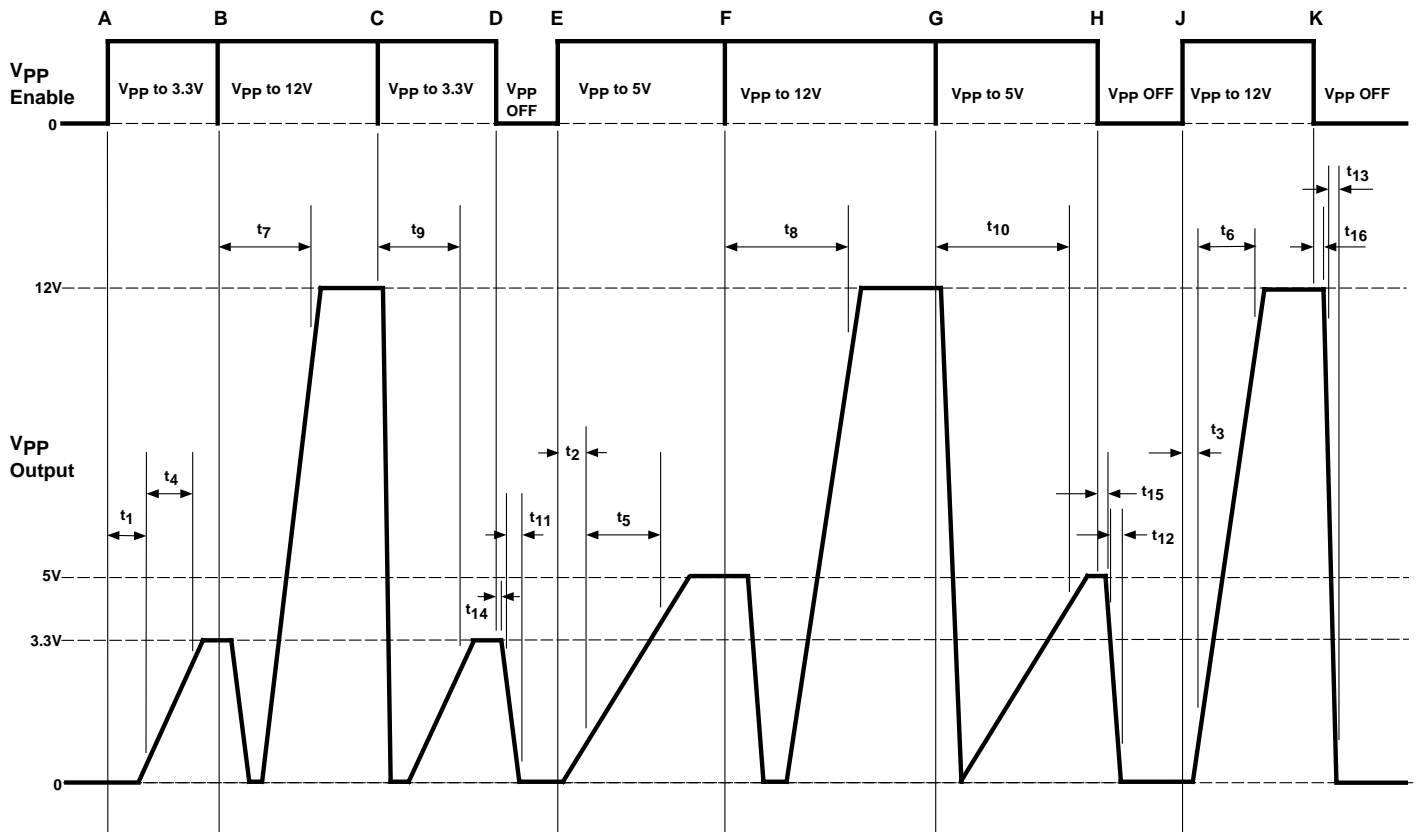


Figure 1. MIC2563A V<sub>PP</sub> Timing Diagram

V<sub>PP</sub> Enable is shown generically: refer to “MIC2563A-0 and MIC2563A-1 Control Logic Tables.” At time “A,” V<sub>PP</sub> = 3.3V is selected. At “B,” V<sub>PP</sub> is set to 12V. At “C,” V<sub>PP</sub> = 3.3V (from 12V). At “D,” V<sub>PP</sub> is disabled. At “E,” V<sub>PP</sub> is programmed to 5V. At “F,” V<sub>PP</sub> is set to 12V. At “G,” V<sub>PP</sub> is programmed to 5V. At “H,” V<sub>PP</sub> is disabled. At “J,” V<sub>PP</sub> is set to 12V. And at “K,” V<sub>PP</sub> is again disabled. R<sub>L</sub> = 100Ω for all measurements. Load capacitance is negligible.

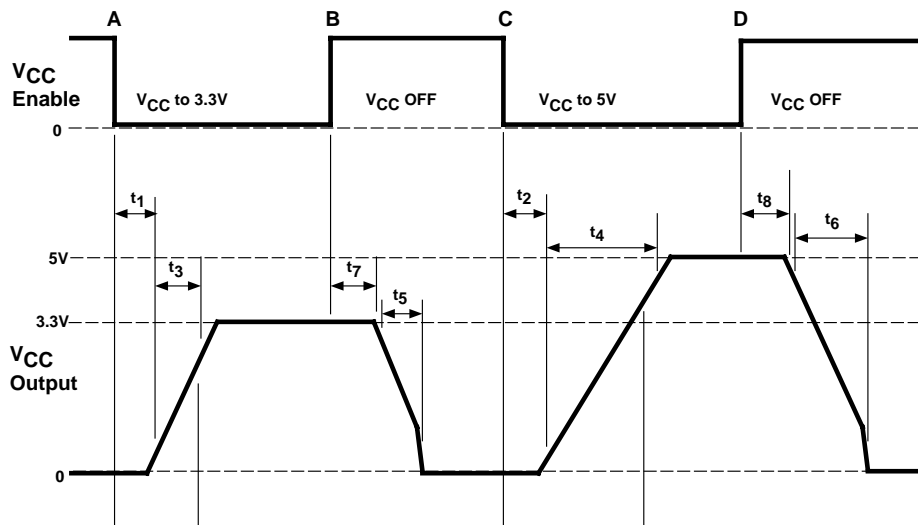


Figure 2. MIC2563A V<sub>CC</sub> Timing Diagram

V<sub>CC</sub> Enable is shown generically: refer to “MIC2563A-0 and MIC2563A-1 Control Logic Tables” for specific control logic input. At time “A,” V<sub>CC</sub> is programmed to 3.3V. At “B,” V<sub>CC</sub> is disabled. At “C,” V<sub>CC</sub> is programmed to 5V. And at “D,” V<sub>CC</sub> is disabled. R<sub>L</sub> = 10Ω.

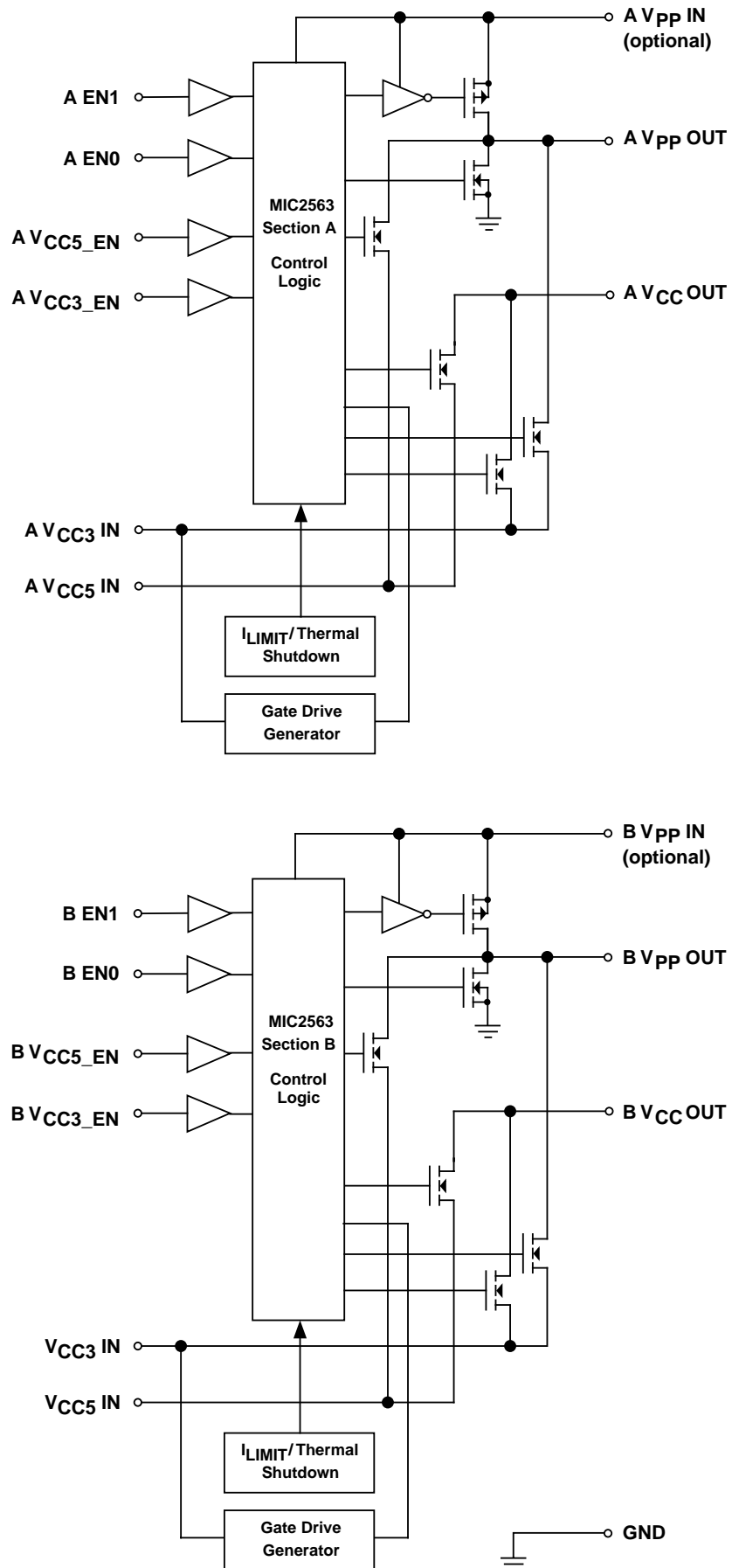
**MIC2563A-0 Control Logic Table**

V <sub>CC5_EN</sub>	V <sub>CC3_EN</sub>	EN1	EN0	V <sub>CC</sub> OUT	V <sub>PP</sub> OUT
0	0	0	0	Clamped to Ground	High-Z
0	0	0	1	Clamped to Ground	High-Z
0	0	1	0	Clamped to Ground	High-Z
0	0	1	1	Clamped to Ground	Clamped to Ground
0	1	0	0	3.3	High-Z
0	1	0	1	3.3	3.3
0	1	1	0	3.3	12
0	1	1	1	3.3	Clamped to Ground
1	0	0	0	5	High-Z
1	0	0	1	5	5
1	0	1	0	5	12
1	0	1	1	5	Clamped to Ground
1	1	0	0	3.3	High-Z
1	1	0	1	3.3	3.3
1	1	1	0	3.3	5
1	1	1	1	3.3	Clamped to Ground

**MIC2563A-1 Control Logic Table** (compatible with Cirrus Logic CL-PD6710 & PD672x-series Controllers)

V <sub>CC5_EN</sub>	V <sub>CC3_EN</sub>	V <sub>PP_PGM</sub>	V <sub>PP_VCC</sub>	V <sub>CC</sub> OUT	V <sub>PP</sub> OUT
0	0	0	0	Clamped to Ground	Clamped to Ground
0	0	0	1	Clamped to Ground	High-Z
0	0	1	0	Clamped to Ground	High-Z
0	0	1	1	Clamped to Ground	High-Z
0	1	0	0	5	Clamped to Ground
0	1	0	1	5	5
0	1	1	0	5	12
0	1	1	1	5	High-Z
1	0	0	0	3.3	Clamped to Ground
1	0	0	1	3.3	3.3
1	0	1	0	3.3	12
1	0	1	1	3.3	High-Z
1	1	0	0	Clamped to Ground	Clamped to Ground
1	1	0	1	Clamped to Ground	High-Z
1	1	1	0	Clamped to Ground	High-Z
1	1	1	1	Clamped to Ground	High-Z

# Logic Block Diagram



## Applications Information

PC Card power control for two sockets is easily accomplished using the MIC2563A PC Card/CardBus slot  $V_{CC}$  and  $V_{PP}$  power controller IC. Four control bits per socket determine  $V_{CC}$  OUT and  $V_{PP}$  OUT voltage and standby/operate mode condition.  $V_{CC}$  outputs of 3.3V and 5V at the maximum allowable PC Card current are supported.  $V_{PP}$  OUT output voltages of  $V_{CC}$  (3.3V or 5V),  $V_{PP}$ , 0V, or a high impedance state are available. When the  $V_{CC}$  clamped to ground condition is selected, the device switches into "sleep" mode and draws only nanoamperes of leakage current. Full protection from hot switching is provided which prevents feedback from the  $V_{CC}$  OUT (from 5V to 3.3V, for example) by locking out the low-voltage switch until the initial switch's gate voltage drops below the desired lower  $V_{CC}$ .

The MIC2563A operates from the computer system's main power supply. Device logic and internal MOSFET drive is generated internally by charge pump voltage multipliers powered from  $V_{CC3}$  IN. Switching speeds are carefully controlled to prevent damage to sensitive loads and meet all PC Card Specification timing requirements.

### Supply Bypassing

External capacitors are not required for operation. The MIC2563A is a switch and has no stability problems. For best results however, bypass  $V_{CC3}$  IN,  $V_{CC5}$  IN, and  $V_{PP}$  IN inputs with 1 $\mu$ F capacitors to improve output ripple. As all internal device logic and comparison functions are powered from the  $V_{CC3}$  IN line, the power supply quality of this line is the most important, and a bypass capacitor may be necessary for some layouts. Both  $V_{CC}$  OUT and  $V_{PP}$  OUT pins may use 0.01 $\mu$ F to 0.1 $\mu$ F capacitors for noise reduction and electrostatic discharge (ESD) damage prevention.

### PC Card Slot Implementation

The MIC2563A is designed for full compatibility with the PCMCIA PC Card Specification, (March 1995), including the CardBus option.

When a memory card is initially inserted, it should receive  $V_{CC}$  (either 3.3V  $\pm$  0.3V or 5.0V  $\pm$  5%). The initial voltage is determined by a combination of mechanical socket "keys" and voltage sense pins. The card sends a handshaking data stream to the controller, which then determines whether or not this card requires  $V_{PP}$  and if the card is designed for dual  $V_{CC}$ . If the card is compatible with and desires a different  $V_{CC}$  level, the controller commands this change by disabling  $V_{CC}$ , waiting at least 100ms, and then re-enabling the other  $V_{CC}$  voltage.

$V_{CC}$  switches are turned ON and OFF slowly. If commanded to immediately switch from one  $V_{CC}$  to the other (without turning OFF and waiting 100ms first), enhancement of the second switch begins after the first is OFF, realizing break-before-make protection.  $V_{PP}$  switches are turned ON slowly and OFF quickly, which also prevents cross conduction.

If no card is inserted or the system is in sleep mode, the slot logic controller outputs a ( $V_{CC3}$  IN,  $V_{CC5}$  IN) = (0,0) to the MIC2563A, which shuts down  $V_{CC}$ . This also places the switch into a high impedance output shutdown (sleep) mode, where current consumption drops to nearly zero, with only tiny CMOS leakage currents flowing.

Internal device control logic, MOSFET drive and bias voltage is powered from  $V_{CC3}$  IN. The high voltage bias is generated by an internal charge pump quadrupler. Systems without 3.3V may connect  $V_{CC3}$  IN to 5V. Input logic threshold voltages are compatible with common PC Card logic controllers using either 3.3V or 5V supplies.

The PC Card specification defines two  $V_{PP}$  supply pins per card slot. The two  $V_{PP}$  supply pins may be programmed to different voltages.  $V_{PP}$  is primarily used for programming Flash memory cards. Implementing two independent  $V_{PP}$  voltages is easily accomplished with the MIC2563A and a MIC2557 PCMCIA  $V_{PP}$  switching matrix. Figure 3 shows this full configuration, supporting independent  $V_{PP}$  and both 5.0V and 3.3V  $V_{CC}$  operation. However, few logic controllers support multiple  $V_{PP}$  — most systems connect  $V_{PP1}$  to  $V_{PP2}$  and the MIC2557 is not required. This circuit is shown in Figure 4.

During flash memory programming with standard (+12V) flash memories, the PC Card slot logic controller outputs a (0, 1) to the EN0, EN1 control pins of the MIC2563A, which connects  $V_{PP}$  IN (nominally +12V) to  $V_{PP}$  OUT. The low ON resistance of the MIC2563A switch allows using a small bypass capacitor on the  $V_{PP}$  OUT pins, with the main filtering action performed by a large filter capacitor on  $V_{PP}$  IN (usually the main power supply filter capacitor is sufficient). Using a small-value capacitor such as 0.1 $\mu$ F on the output causes little or no timing delays. The  $V_{PP}$  OUT transition from  $V_{CC}$  to 12.0V typically takes 250 $\mu$ s. After programming is completed, the controller outputs a (EN1, EN0) = (0,1) to the MIC2563A, which then reduces  $V_{PP}$  OUT to the  $V_{CC}$  level. Break-before-make switching action and controlled rise times reduces switching transients and lowers maximum current spikes through the switch.

Figure 5 shows MIC2563A configuration for situations where only a single +5V  $V_{CC}$  is available.

### Output Current and Protection

MIC2563A output switches are capable of passing the maximum current needed by any PC Card. The MIC2563A meets or exceeds all PCMCIA specifications. For system and card protection, output currents are internally limited. For full system protection, long term (millisecond or longer) output short circuits invoke overtemperature shutdown, protecting the MIC2563A, the system power supplies, the card socket pins, and the PC Card.



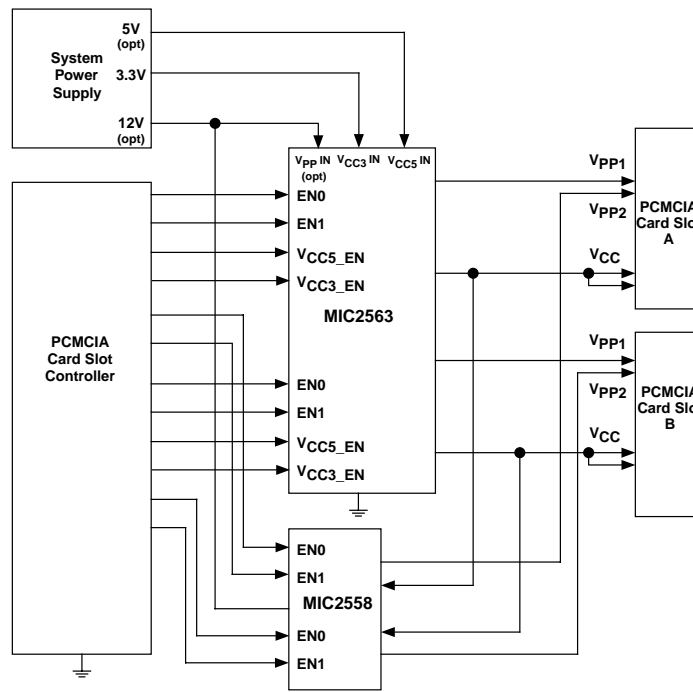


Figure 3. PC Card Slot Power Control Application with Dual V<sub>CC</sub> (5.0V or 3.3V) and Separate V<sub>PP1</sub> and V<sub>PP2</sub>

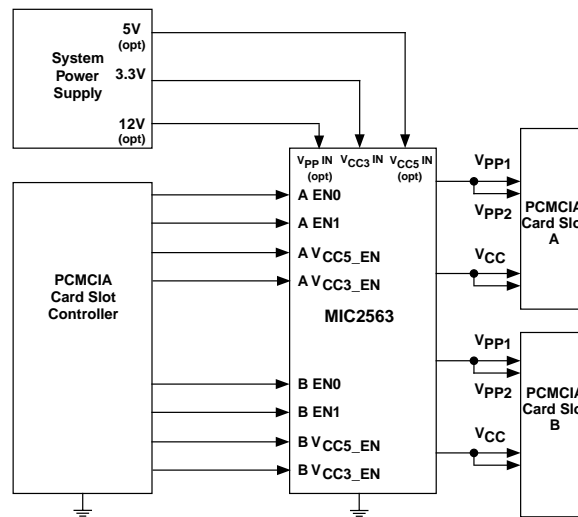
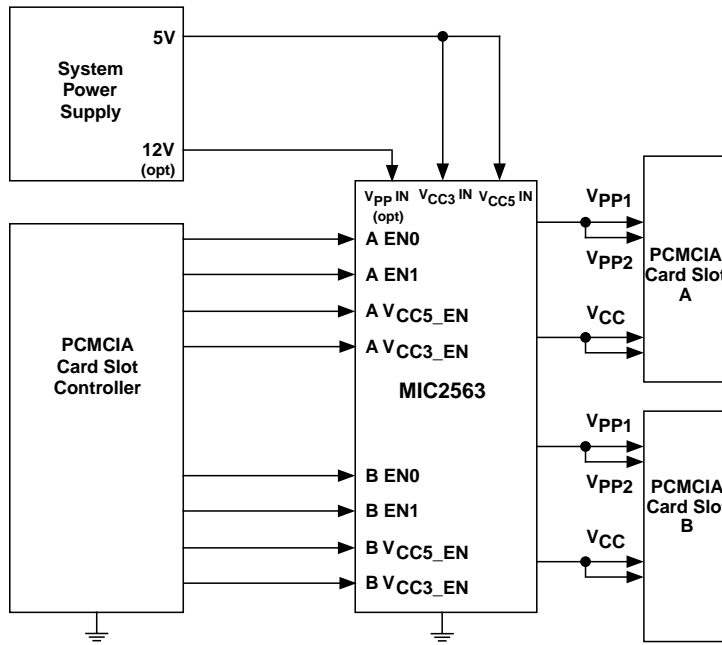


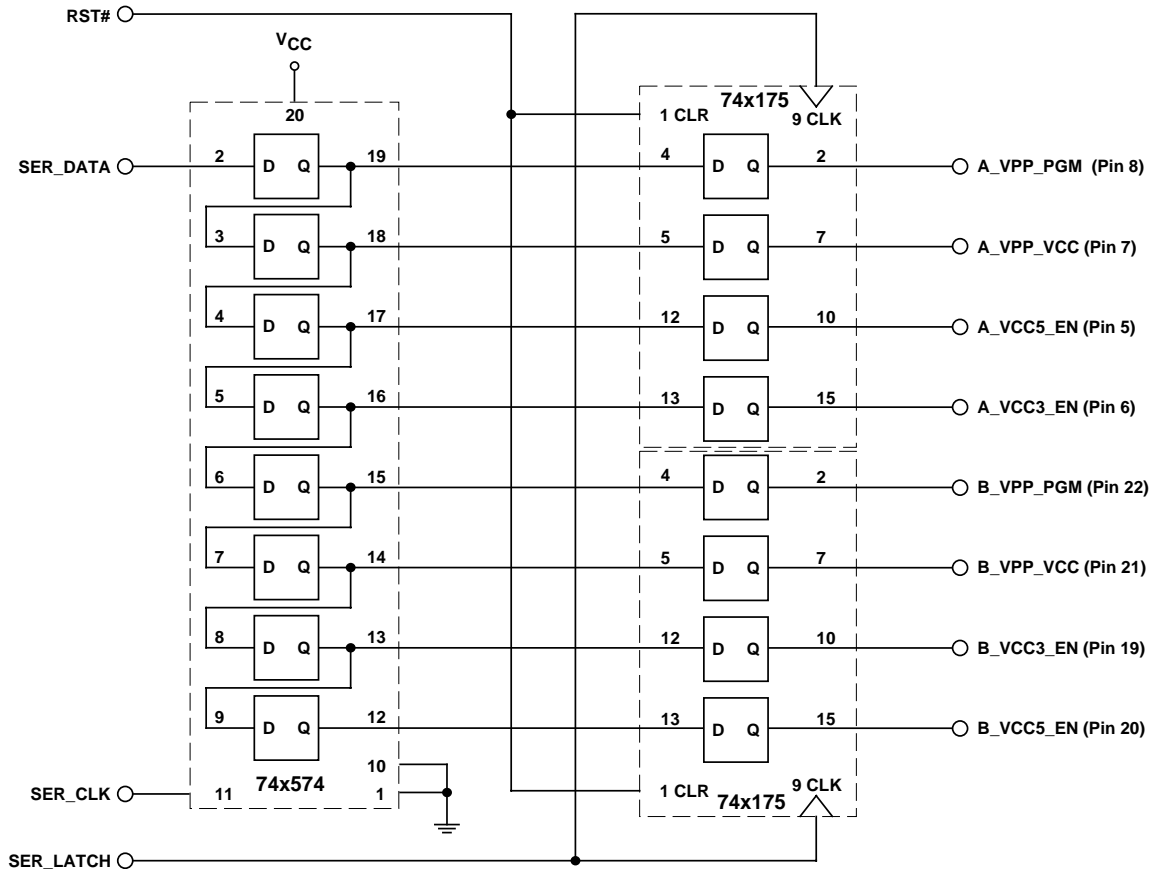
Figure 4. Typical PC Card Slot Power Control Application with Dual V<sub>CC</sub> (5.0V or 3.3V)

Note: V<sub>PP1</sub> and V<sub>PP2</sub> are driven together.



**Figure 5. PC Card Slot Power Control Application without a 3.3V  $V_{CC}$  Supply**

Note:  $V_{CC3 IN}$  and  $V_{CC5 IN}$  lines are driven together. The MIC2563A is powered from the  $V_{CC3 IN}$  line. In this configuration,  $V_{CC OUT}$  will be 5V when either  $V_{CC3}$  or  $V_{CC5}$  is enabled.



**Figure 6. Interfacing the MIC2563A with a Serial-Output Data Controller**

Pinouts shown are for the MIC2563A-1 and a three-wire serial controller.

**Serial Control**

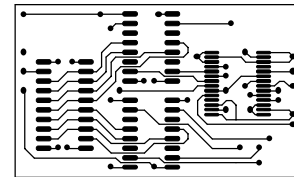
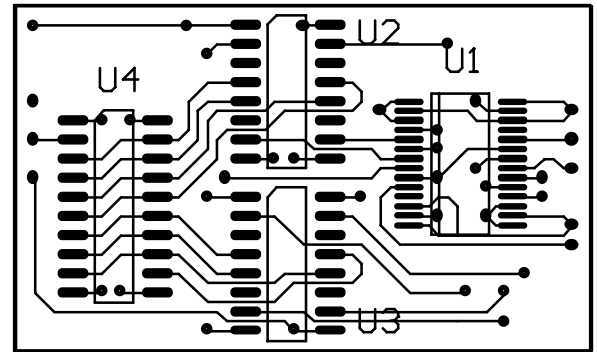
Figure 6 shows conversion from a three-wire serial interface, such as used by the Cirrus Logic CL-PD6730, to the standard eight-line parallel interface used by the MIC2563A-1. This interface requires three common, low cost 7400-series logic ICs:

- 74x574 Octal D Flip-Flop
- 74x175 Quad Flip-Flop with Latches (two needed)

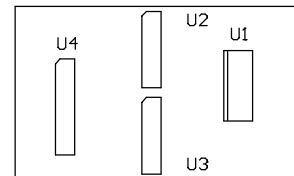
Either 3.3V or 5V logic devices may be used, depending upon the control voltage employed by the slot logic controller. Pin numbers in parenthesis refer to the MIC2563A-1BSM. Gerber files for this PC board layout are available to Micrel customers. Please contact Micrel directly.

Another serial-to-parallel solution for this application is the 74HC594, 8-bit shift register with output registers. This device contains the eight D flip-flops plus has latched outputs suitable for this purpose.

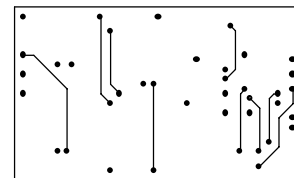
**Serial Control Adapter PC Board Layout**



95090201.PCB  
Top Layer



95090201.PCB  
Top Overlay

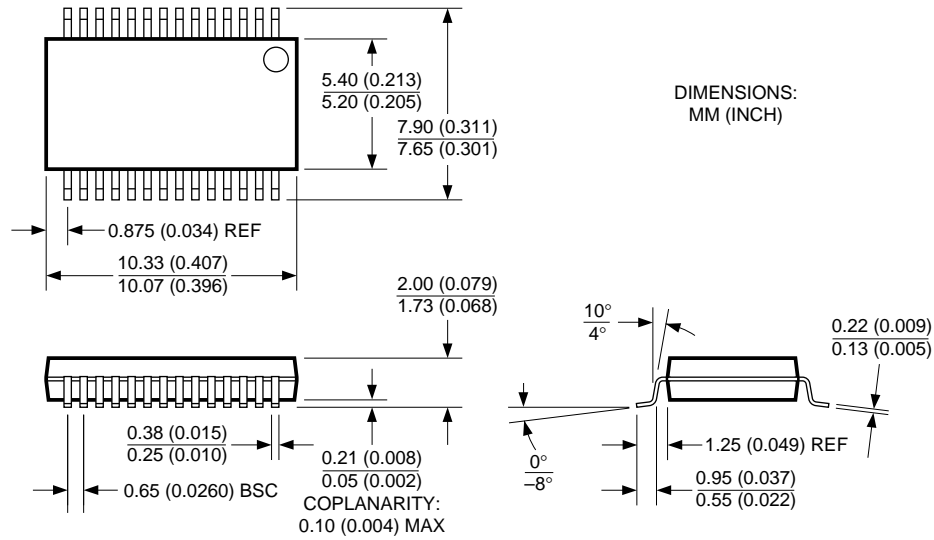


95090201.PCB  
Bottom Layer

**Component Key**

- U1 ..... MIC2563
- U2, U3 ..... 74x175
- U4 ..... 74x574

Package Information



28-Pin SSOP (SM)

**MICREL, INC. 1849 FORTUNE DRIVE SAN JOSE, CA 95131 USA**

TEL + 1 (408) 944-0800 FAX + 1 (408) 944-0970 WEB <http://www.micrel.com>

The information furnished by Micrel in this data sheet is believed to be accurate and reliable. However, no responsibility is assumed by Micrel for its use. Micrel reserves the right to change circuitry and specifications at any time without notification to the customer.

Micrel Products are not designed or authorized for use as components in life support appliances, devices or systems where malfunction of a product can reasonably be expected to result in personal injury. Life support devices or systems are devices or systems that (a) are intended for surgical implant into the body or (b) support or sustain life, and whose failure to perform can be reasonably expected to result in a significant injury to the user. A Purchaser's use or sale of Micrel Products for use in life support appliances, devices or systems is at Purchaser's own risk and Purchaser agrees to fully indemnify Micrel for any damages resulting from such use or sale.

© 2004 Micrel, Incorporated.